

Solero

Microwave Tissue Ablation System



ABLATION MEASUREMENT GUIDE



EX VIVO BOVINE LIVER

(diameter \varnothing x length)

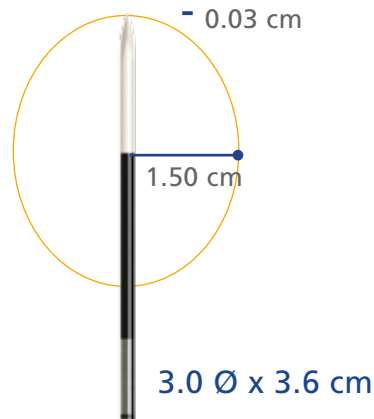
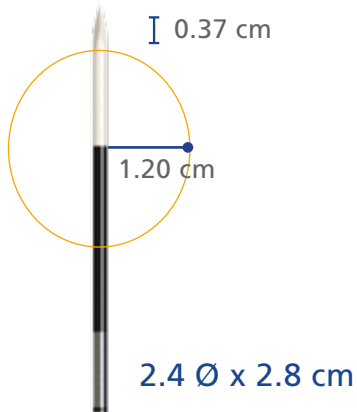


2 min

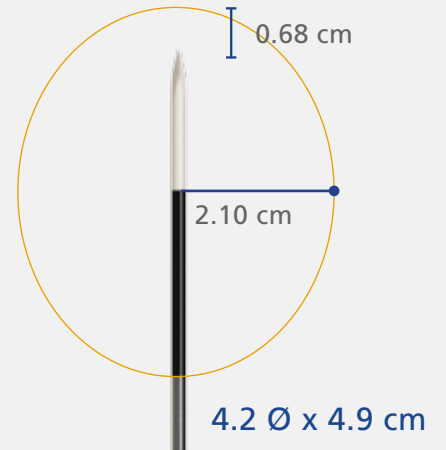
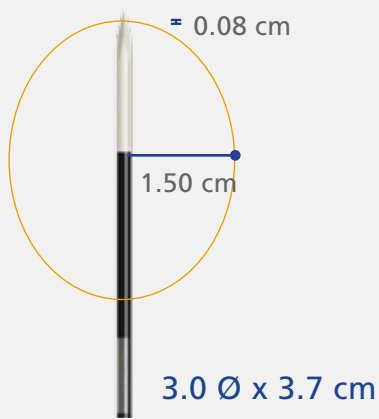
4 min

6 min

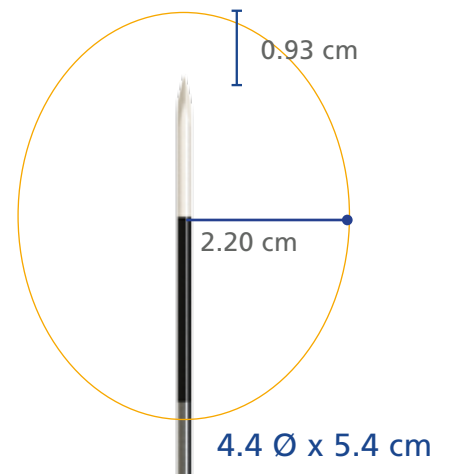
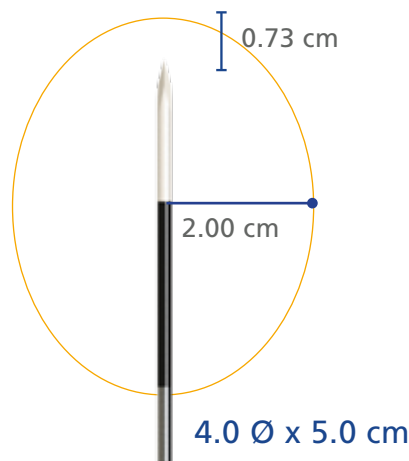
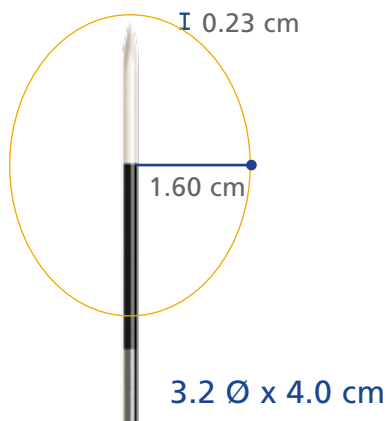
60 W



100 W



140 W



Note: Ablation volumes in perfused tissues may differ from static laboratory results

EX VIVO PORCINE KIDNEY

(diameter Ø x length)

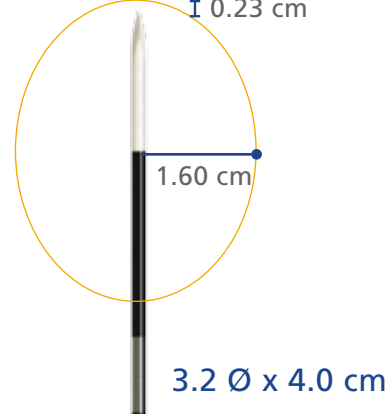
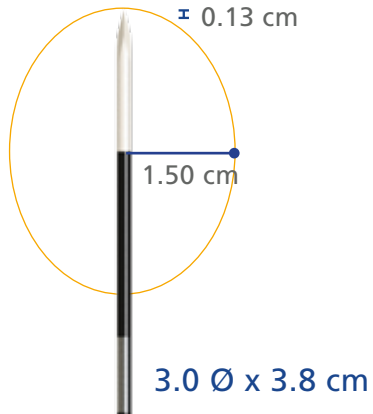


2 min

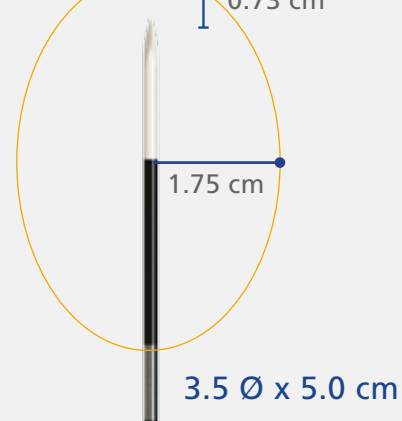
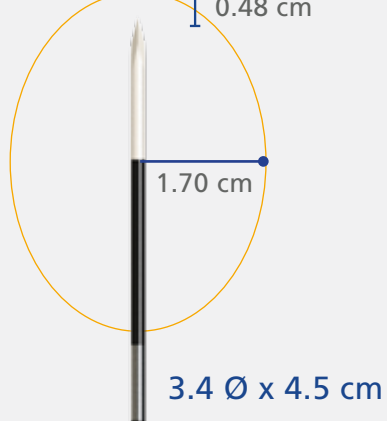
4 min

6 min

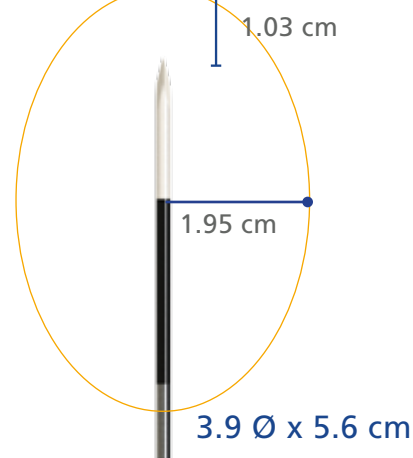
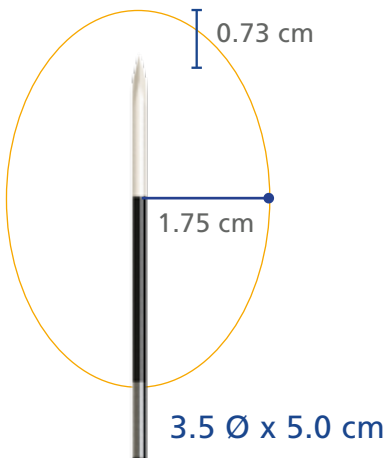
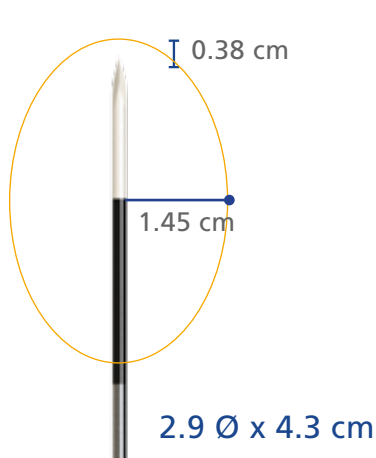
60 W



100 W



140 W



Note: Ablation volumes in perfused tissues may differ from static laboratory results

EX VIVO PORCINE LUNG

(diameter Ø x length)

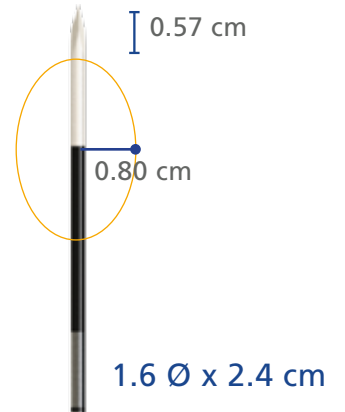
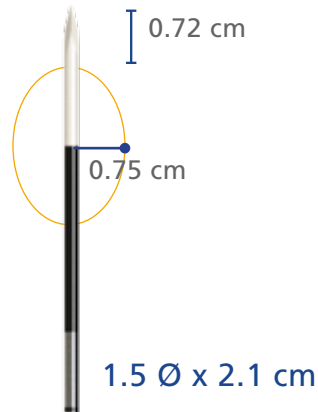
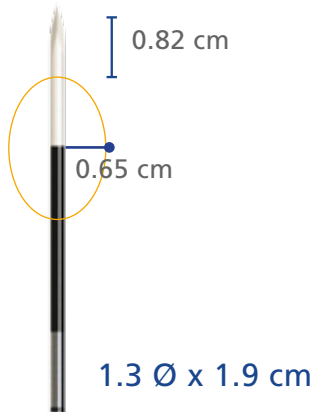


2 min

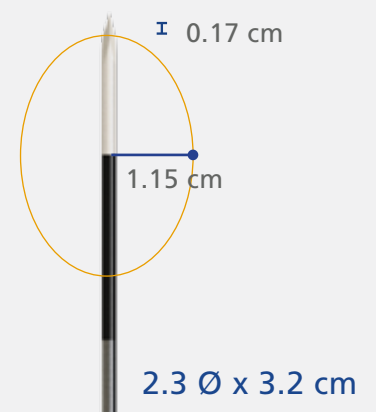
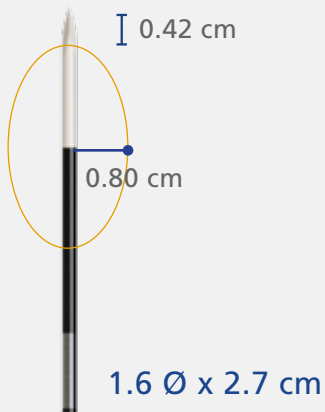
4 min

6 min

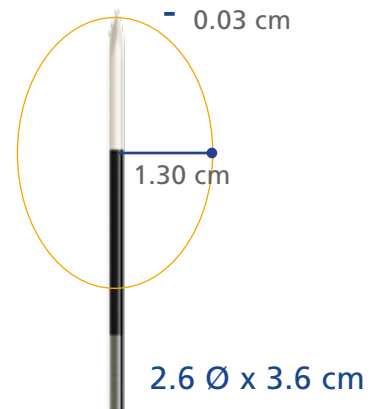
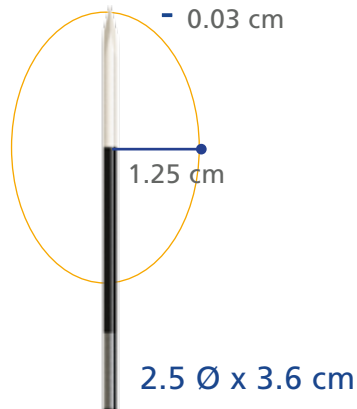
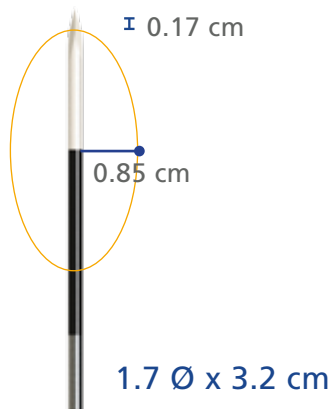
60 W



100 W



140 W



Note: Ablation volumes in perfused tissues may differ from static laboratory results

SOLERO* MICROWAVE TISSUE ABLATION SYSTEM

SKU	Description
H787127400000	Solero MW Generator
H7877001060010	Solero MW Applicator 14 cm
H7877001060020	Solero MW Applicator 19 cm
H7877001060030	Solero MW Applicator 29 cm

Consult your AngioDynamics representative for country specific product availability.
Not intended for distribution in the USA.

INDICATION FOR USE

The Solero Microwave Tissue Ablation (MTA) System and Accessories are indicated for the ablation of soft tissue[†] during open, laparoscopic, or percutaneous procedures. The Solero MTA System is not intended for cardiac use.

[†]Note Canada Only: Throughout this document, any reference to "soft tissue" means the following tissue types: liver, kidney, and lung (early stage non-small cell lung cancer (NSCLC) and inoperable pulmonary malignancies).

Please refer to the Solero Generator Operator's Manual and the Solero Applicator Directions For Use for complete instructions, warnings, and precautions.



USA > 14 Plaza Drive, Latham, NY 12110 > tel: 800-772-6446 or 518-798-1215 > fax: 518-798-1360
International > Haaksbergweg 75 (Margrietoren), 1101 BR, Amsterdam Z-O > The Netherlands >
tel: +31 (0)20 753 2949 > fax: +31 (0)20 753 2939

www.angiodynamics.com

*AngioDynamics, the AngioDynamics logo, Solero and the Solero logo are trademarks and/or registered trademarks of AngioDynamics, Inc., an affiliate or a subsidiary. © 2018 AngioDynamics, Inc. ANGM 498 INT Rev 02 01/18